

Electrical Characteristics

Symbol	Parameter	Test Conditions	Min	Typ	Max	Units

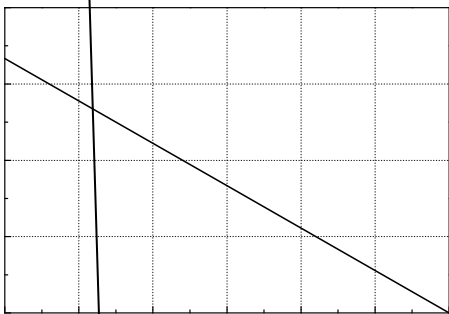
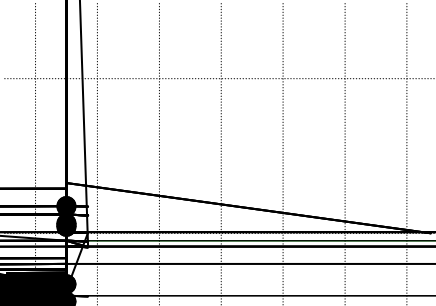
Thermal Characteristics

Symbol	Parameter	Min	Typ	Max	Units

Package Marking and Ordering Information

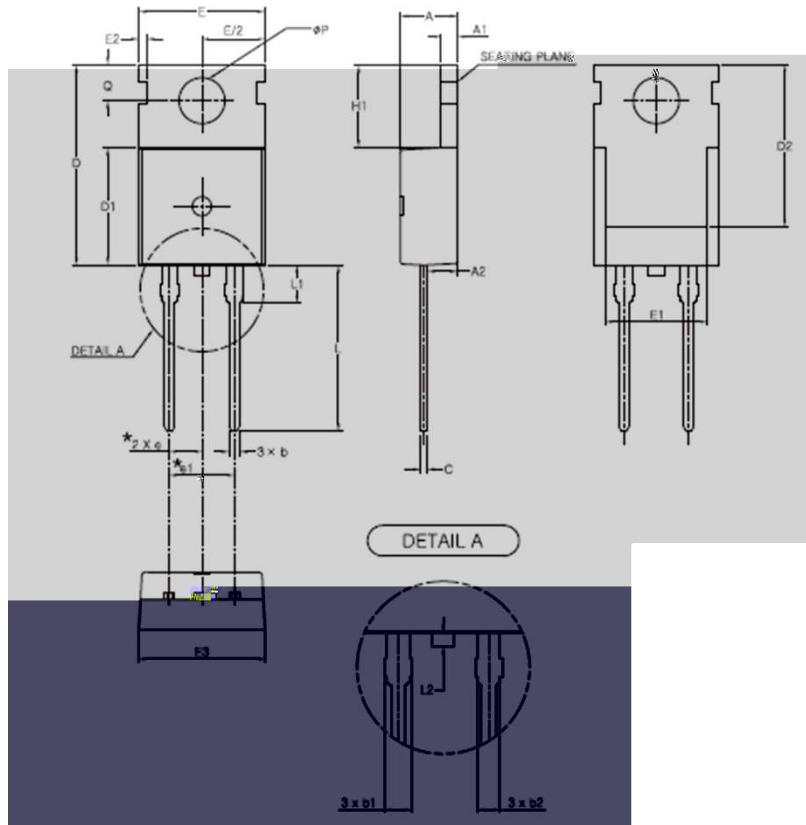
Device Marking	Device	Package	Reel Size	Tape Width	Quantity

Typical Characteristics



Package Information

TO-220-2L



SYMBOL	MIN	NOM	MAX
A	4.30	4.50	4.70
A1	1.25	1.30	1.40
A2	2.20	2.40	2.60
b	0.70	0.80	0.90
b1	1.42	1.52	1.62
b2	1.17	1.27	1.37
c	0.45	0.50	0.60
D1	15.50	15.70	15.90
D2	9.00	9.20	9.40
E	(12.70)		
E1	9.70	9.90	10.10
E2		(8.00)	
E3		(0.60)	
e	2.70	2.90	3.10
e1		2.54 BSC	
H1		5.08 BSC	
L	6.30	6.50	6.70
L1	12.88	13.08	13.28
L2		(3.00)	
phi P	-	-	0.80
Q	3.50	3.60	3.70
	2.70	2.80	2.90

NOTE

1. THESE DIMENSIONS DO NOT INCLUDE PROTRUSIONS OF THE MOLD REFERENCE PROTRUSION OF THE MOLD

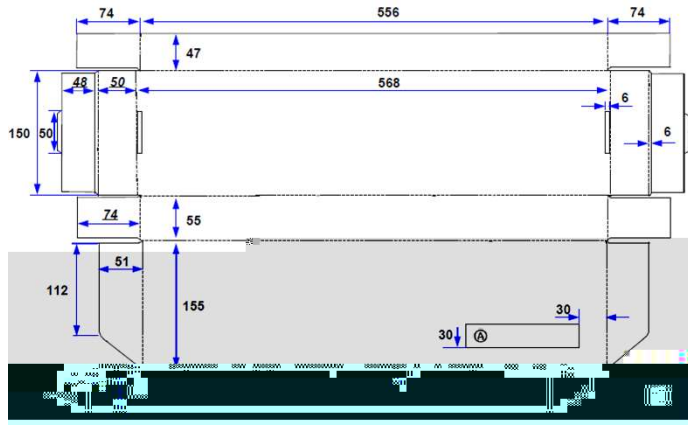
2. THE 'L1' MARK IS THE REFERENCE


3. THE 'L2' SYMBOL IS A P

4. IT HAS TO APPLY TO TO-220-2L MOLD DIE

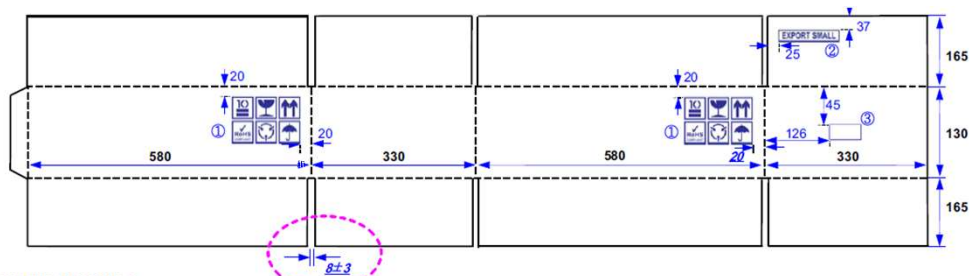
Packing Information

Inner Box



PART ID	PKG Type
PDXXXXXXEX_G	XX-XXXX-XX
LOT No.	QTY
VXXXXXXXXXXXXX	X,XXX ea
	
DATE : XXXX.XX.XX	

Outer Box



[BOX PRINTING MARKING]

- ①  MARKING SIZE (112*20)
COLOR (DARK BLUE)
- ②  MARKING SIZE (75*35)
COLOR (DARK BLUE)
- ③  MARKING SIZE (Each Symbol 30*30)
COLOR (DARK BLUE)

[NOTE]

1. MATERIAL : KLB175*K180*KLB175*K180*KLB175
(SUK175*K200*K200*K200*SUK175)
2. NAIL QTY : 3 PCS
3. PRINTING TOLERANCE : MARKING SIZE(±3)
MARKING POSITION(±5)

PART ID : PDXXXXXXXXEX_G	
LOT NO : XXXXXXXXXXXXX	
QTY : XX,XXXX ea	
	
DATE : XXXX.XX.XX	

Notes

