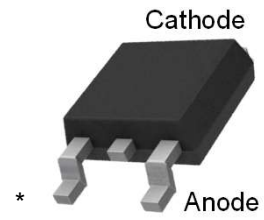
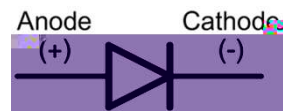


+

(10+
(
((
((
((
((
((
((
(



(
(
(
(
(



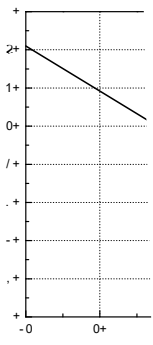
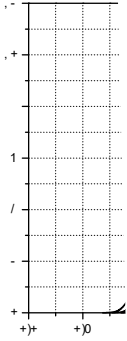
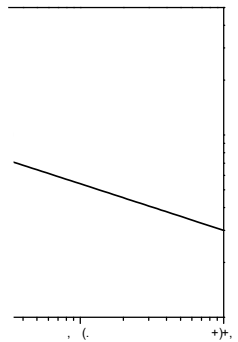
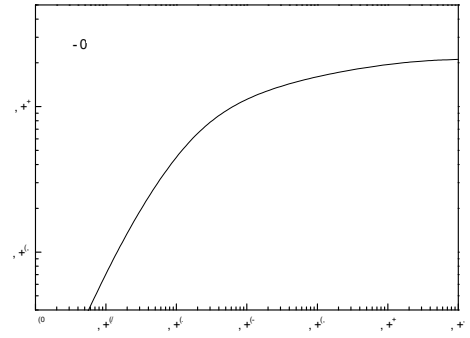
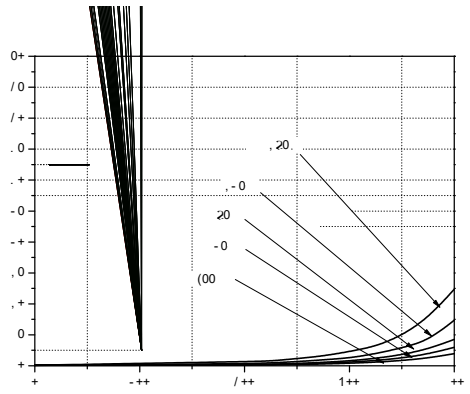
++
+

		10+	
		10+	
		10+	
	-0 ,00	-+ 1	
	,,+	/	
	(,+	.+ -/	
	-0	2,	
		(00 ,20	

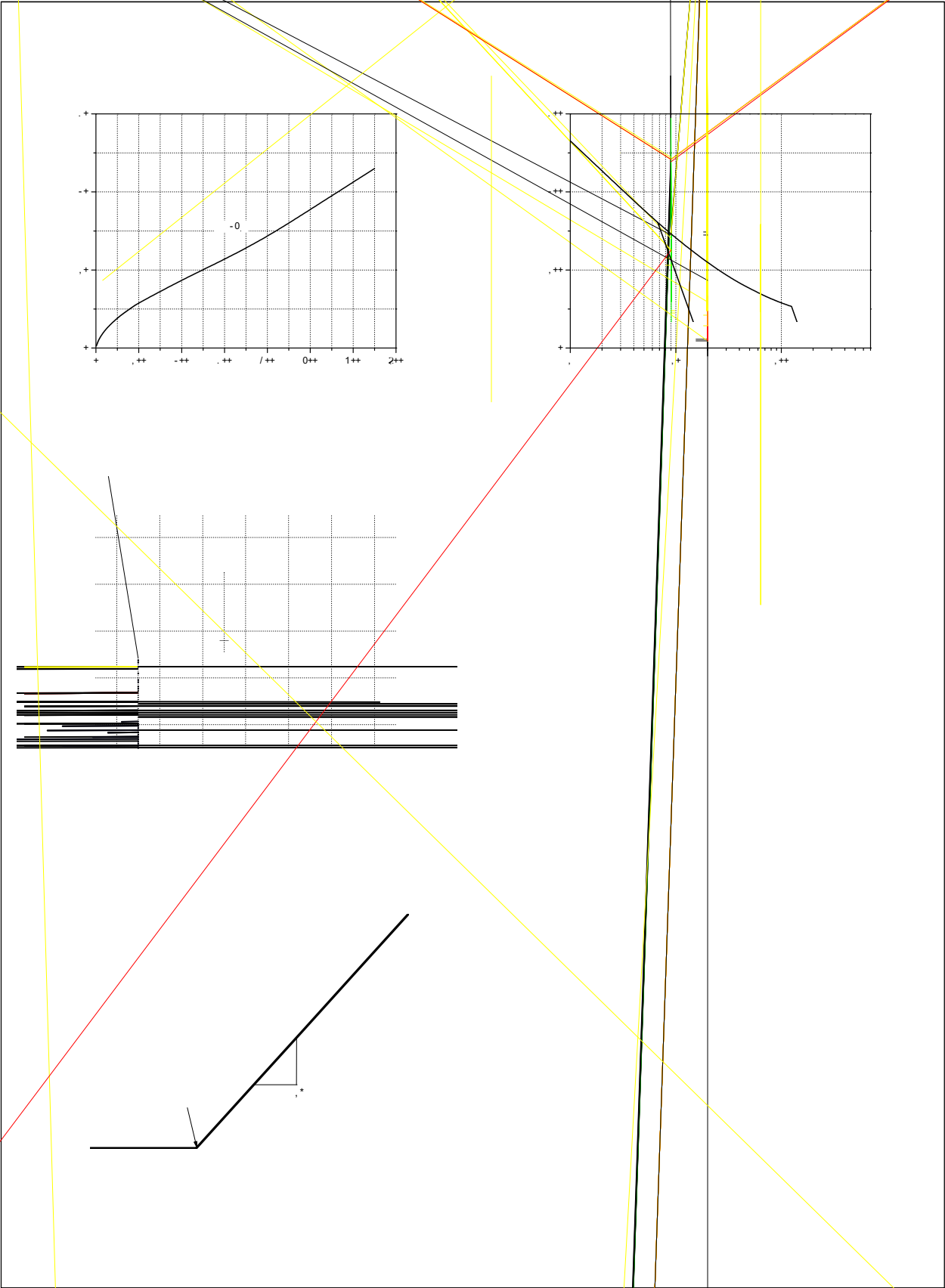
-0						
		1 -0 1 ,20	((,0 -)+	,) -y	
		10+ -0 10+ ,20	((,1 .-	/- /-+	
		/++	((,/	((
		, -0 , 0-+ -0 ,	((-10 .0	((

++1+10 * ++1+10

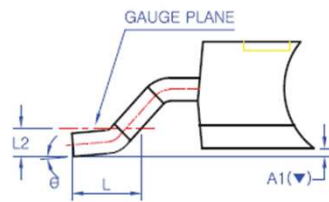
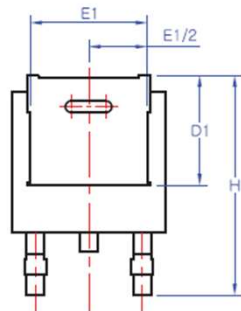
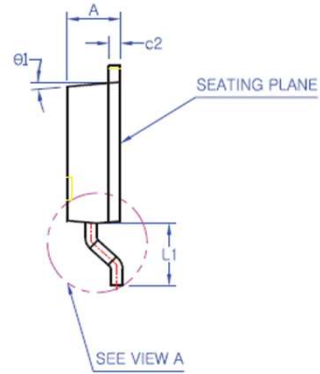
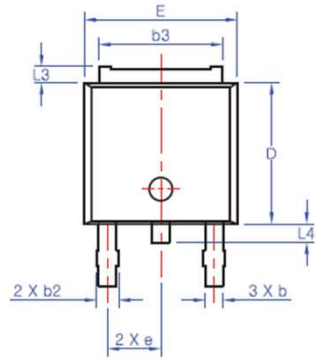
++1+10 * ++1+10



++1+10 * ++1+10



TO-252-2L



VIEW A
OPTIONAL TIP LEADFORM
ROTATED 90° CW

SYMBOL	MIN	NOM	MAX
A	2.20	2.30	2.40
A1 (▼)	0.00	-	0.127
b	0.66	0.76	0.86
b2	-	-	0.96
b3	5.04	5.34	5.64
c2	0.40	0.50	0.60
D	5.90	6.10	6.30
D1		(4.75)	
E	6.40	6.60	6.80
E1		(5.04)	
e		2.30 BSC	
H	9.20	9.50	9.80
L	1.27	1.47	1.67
L1	2.50	2.70	2.90
L2		0.508 BSC	
L3	0.50	0.70	0.90
L4	0.60	0.80	1.00
θ	0°	-	10°
θ1		(5°)	

* NOTE

1. THESE DIMENSIONS DO NOT INCLUDE PROTRUSIONS OF THE MOLD.
2. THE "()" MARK IS THE REFERENCE
3. COPLANARITY : MAX 0.10mm
4. THE "L4" SYMBOL IS A PROTRUSION OF THE LEAD FRAME.

++1+10 * ++1+10

)

)

)) +

) +

) (

))

)

)

))

))

))

))

)

) ()

))

